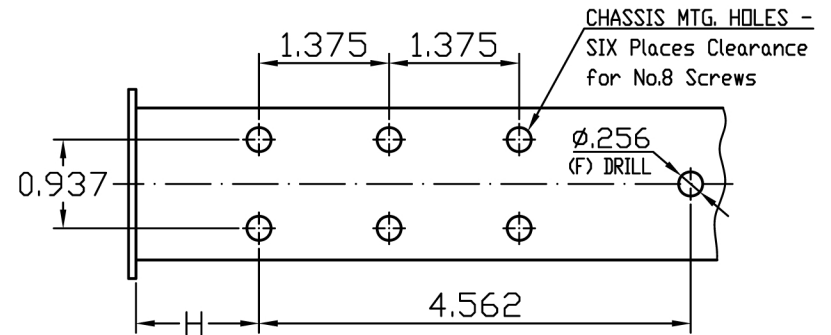
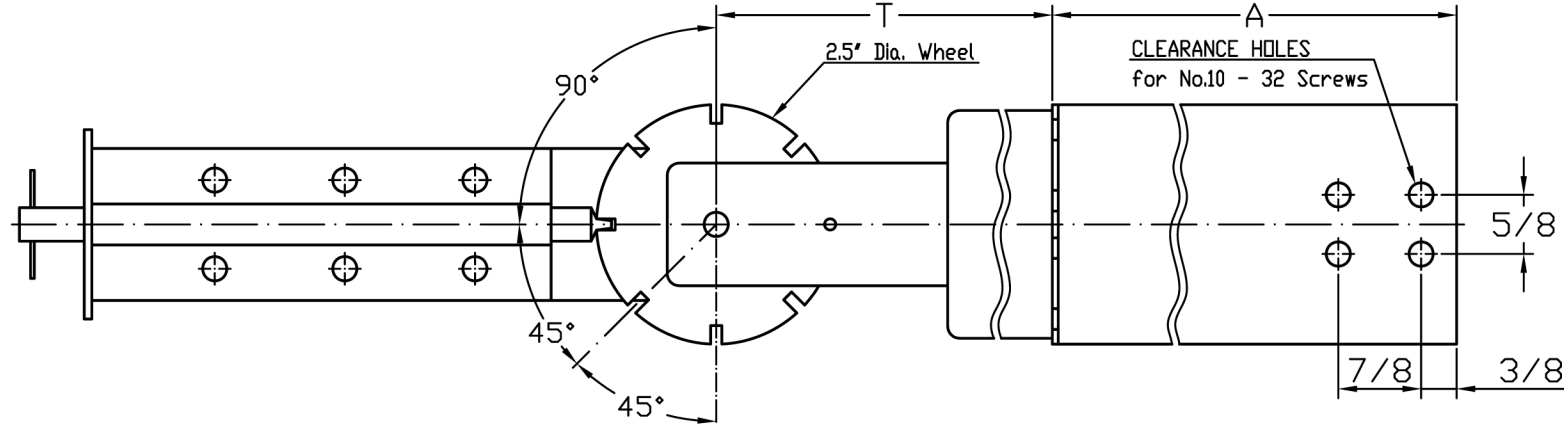
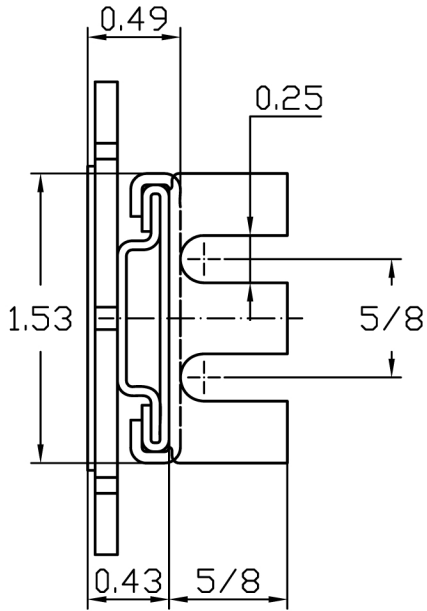


Model: EST-RT



Custom & Precision Drawer Slides  
 2074 Aerotech Dr.  
 Colorado Springs, CO 80916  
 (719)-390-6585

**SLIM TRACK SLIDE**  
**3-SECTION "ROTO-TRACK"**  
**SOLID BEARING STEEL SLIDE-LIGHT DUTY**



**NOTES:**

Solid Bearing, Superior Performance Against High Shock and Vibration.

1. **LOAD CAPACITY:** Up to 75 lbs.
2. **MATERIAL:** Prime hard cold Rolled Steel. All Parts Built to Military Specifications
3. **LUBRICANT:** Built in Permanent Dry Lubricant, Never Needs Oiling. Dry Lubricant, Baked on at 400° per Mil-L-25504, over Phosphate Coating per Mil-P-16232, Type M.
4. **BRACKETS:** Slides Shipped with Standard 2" Rear Mounting Brackets. If Specified, any one of the Following Size Rear Mounting Brackets will be Shipped with Slides: 4", 6", 8", 10" or 12".
5. **FINISH:** Molybdenum Disulphide.

**SLIDE DIMENSIONS**

MODEL No.	A	T	H <sub>min</sub>	H <sub>max</sub>
EST-RT-10	10	Check with factory	1.31	
EST-RT-12	12		1.31	
EST-RT-14	14	9.50	1.31	
EST-RT-16	16	11.50	1.31	
EST-RT-18	18	13.50	1.31	
EST-RT-20	20	15.50	1.31	
EST-RT-22	22	17.50	1.31	
EST-RT-24	24	19.50	1.31	
EST-RT-26	26	21.50	1.31	
EST-RT-28	28	23.50	1.31	
EST-RT-30	30	25.50	1.31	

Choice of Positive Locking in closed and/or extended position or Stop - Out Only which enables easy entry of Chassis into Cabinet without manipulations of Catches.

When Ordering, please specify Feature needed:  
 EST-RT-20-SO (stop-out only).  
 EST-RT-20-PL (positive locking).  
 EST-RT-20-FD (fast disconnect).

\* Load Ratings are based on a pair of 18" Slides with Standard Extension